

EAF - Extreme Application Photoflash, Power Electrolytic Capacitors

.....



- High Energy Density Product
- Suitable for use in most demanding applications requiring high current discharge or flash energy storage
- Custom designs available upon request

General Specifications

Operating Temperature:
-40°C to +55°C

Voltage Range:
250 WVDC to 500 WVDC

Capacitance Range:
75 μ F to 30,000 μ F

Capacitance Tolerance:
-10% +20%; -10% +50%;
-10% +75%; -20% + 20%;

QA Stability Test:

Apply WVDC for 2000 hours at 55°C

- Capacitance change \leq 15% from initial limits
- DC leakage current meets initial limits
- ESR \leq 175% of initial measured value

DuraCap International, Inc
P.O. Box 1579 Woodstock, Ontario
N4S 0A7 Canada

Phone: (519) 539-4891
Fax: (519) 539-6684
<http://www.duracap.com/>

Part Number Information

DuraCap Catalog Number **CGS** **184** **U** **010** **X3L** **(3** **P** **H)** **[-S]**

TYPE: _____
Identifies the basic type
EAP, EAW, EAN, EAF, EASB, EAL

CAPACITANCE: _____
Expressed in microfarads
The first two digits are significant figures
The third digit is the number of zeros

CAPACITANCE TOLERANCE: _____
F = -0 / +30% **R** = -15 / +15% **U** = -10 / +75%
G = -0 / +50% **S** = -10 / +30% **X** = -10 / +20%
M = -20 / +20% **T** = -10 / +50% **Z** = -10 / +10%

DC VOLTAGE RATING: _____
Zeros are used to precede the voltage rating where necessary to complete the three digit block
The letter 'R' indicates a decimal point

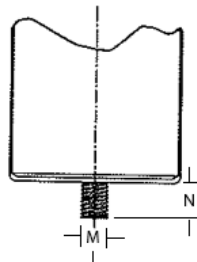
CASE CODE: _____
See chart on next page

INSULATING SLEEVE: _____
 0 = No sleeve
 1 = Mylar (Polyester)
 3 = Single Layer PVC - .008" thickness
 7 = Double Layer .008" PVC (.016" total thickness)
 8 = Blue PVC - .012" thickness

POLARITY: _____
P = Polar **S** = Semi-Polar **N** = Non-Polar

TERMINAL: _____
H = High Post
L = Low Post
V = Printed Circuit Mount
D = Low Post, Low Resistance Screw Mount (1/4 - 28 Thread)
F = High Post Metric Thread
G = Low Post Metric Thread
N = High Post, Low Resistance Screw Mount (1/4 - 28 Thread)
S = Stud Mount (see chart below)

CAN DIAMETER	M THREAD	N INCH	N MM
1.375	M8	.472	12
1.750	M8	.472	12
2.000	M12	.630	16
2.500	M12	.630	16
3.000	M12	.630	16
3.500	M12	.630	16



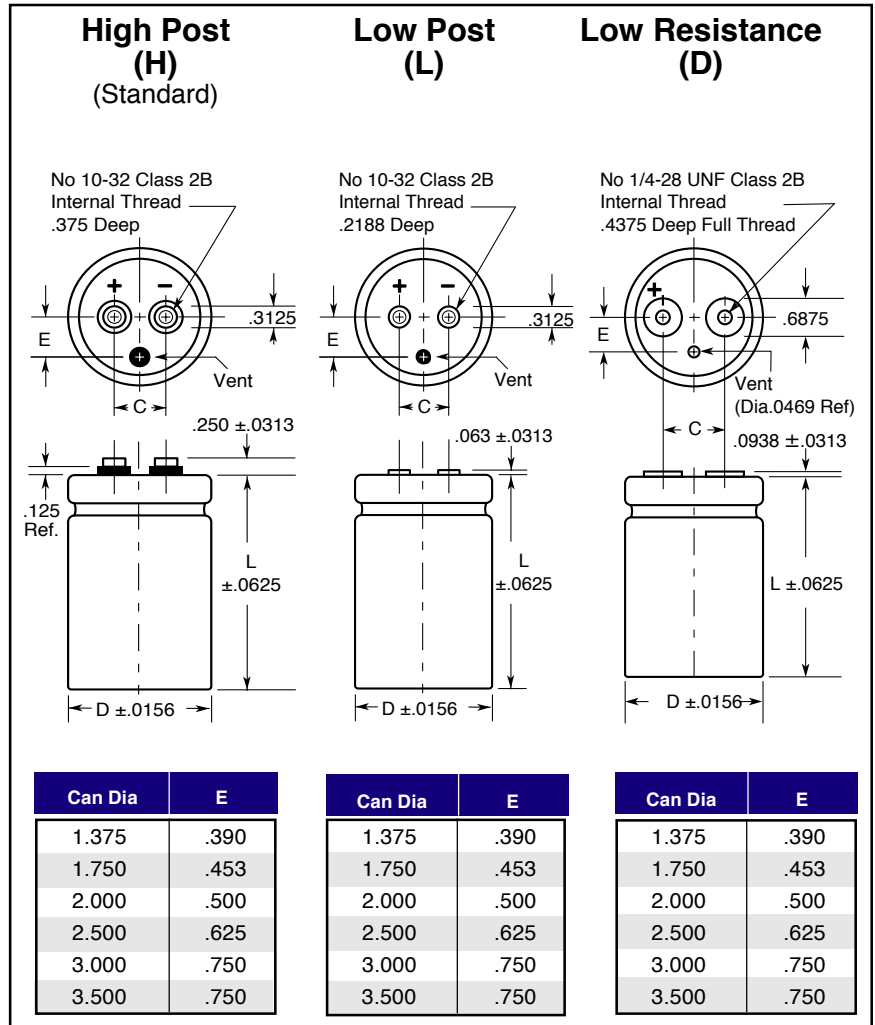
STUDED CAN CROSS SECTION DETAIL

Type EAF Dimensions and Size Charts



Case Code Chart

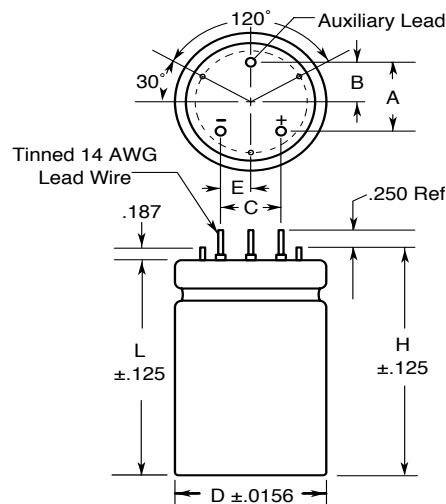
Case Code	Uninsulated Can						Mounting Bracket
	Inches		mm		Inches	mm	
	D	L	D	L	C	C	
R2C	1.375	2.125	35	54	.500	12.7	VR3
R2L	1.375	2.625	35	67	.500	12.7	VR3
R3C	1.375	3.125	35	79.4	.500	12.7	VR3
R3L	1.375	3.625	35	92	.500	12.7	VR3
R4C	1.375	4.125	35	105	.500	12.7	VR3
R4L	1.375	4.625	35	117.5	.500	12.7	VR3
R5C	1.375	5.125	35	130	.500	12.7	VR3
R5L	1.375	5.625	35	143	.500	12.7	VR3
U2C	1.750	2.125	44.5	54	.750	19	VR6
U2L	1.750	2.625	44.5	67	.750	19	VR6
U3C	1.750	3.125	44.5	79.4	.750	19	VR6
U3L	1.750	3.625	44.5	92	.750	19	VR6
U4C	1.750	4.125	44.5	105	.750	19	VR6
U4L	1.750	4.625	44.5	117.5	.750	19	VR6
U5C	1.750	5.125	44.5	130	.750	19	VR6
U5L	1.750	5.625	44.5	143	.750	19	VR6
V2C	2.000	2.125	50.8	54	.875	22.2	VR8
V2L	2.000	2.625	50.8	67	.875	22.2	VR8
V3C	2.000	3.125	50.8	79.4	.875	22.2	VR8
V3L	2.000	3.625	50.8	92	.875	22.2	VR8
V4C	2.000	4.125	50.8	105	.875	22.2	VR8
V4L	2.000	4.625	50.8	117.5	.875	22.2	VR8
V5C	2.000	5.125	50.8	130	.875	22.2	VR8
V5L	2.000	5.625	50.8	143	.875	22.2	VR8
W3C	2.500	3.125	63.5	79.4	1.125	28.6	VR10
W3L	2.500	3.625	63.5	92	1.125	28.6	VR10
W4C	2.500	4.125	63.5	105	1.125	28.6	VR10
W4L	2.500	4.625	63.5	117.5	1.125	28.6	VR10
W5C	2.500	5.125	63.5	130	1.125	28.6	VR10
W5L	2.500	5.625	63.5	143	1.125	28.6	VR10
X3L	3.000	3.625	76.2	92	1.250	31.7	VR12
X4C	3.000	4.125	76.2	105	1.250	31.7	VR12
X4L	3.000	4.625	76.2	117.5	1.250	31.7	VR12
X5C	3.000	5.125	76.2	130	1.250	31.7	VR12
X5L	3.000	5.625	76.2	143	1.250	31.7	VR12
X5R	3.000	5.875	76.2	149	1.250	31.7	VR12
X6L	3.000	6.625	76.2	168	1.250	31.7	VR12
X7L	3.000	7.625	76.2	194	1.250	31.7	VR12
X8L	3.000	8.625	76.2	219	1.250	31.7	VR12
Y3L	3.500	3.625	88.9	92	1.25	31.7	N/A
Y4C	3.500	4.125	88.9	105	1.25	31.7	N/A
Y4L	3.500	4.625	88.9	117.5	1.25	31.7	N/A
Y5C	3.500	5.125	88.9	130	1.25	31.7	N/A
Y5L	3.500	5.625	88.9	143	1.25	31.7	N/A
Y5R	3.500	5.875	88.9	149	1.25	31.7	N/A
Y6L	3.500	6.625	88.9	168	1.25	31.7	N/A
Y7L	3.500	7.625	88.9	194	1.25	31.7	N/A
Y8L	3.500	8.625	88.9	219	1.25	31.7	N/A



Add .015 inches to diameter and .045 inches to length for PVC insulating sleeve.

PC Mounting Board Dimensions

Case Code	Uninsulated Can						
	Inches						
	D	L	H	A	B	C	E
R1N	1.375	1.750	1.937	.550	.375	.500	.250
R2C	1.375	2.125	2.312	.550	.375	.500	.250
R2L	1.375	2.625	2.812	.550	.375	.500	.250
R3C	1.375	3.125	3.312	.550	.375	.500	.250
R3L	1.375	3.625	3.812	.550	.375	.500	.250
R4C	1.375	4.125	4.312	.550	.375	.500	.250
R4L	1.375	4.625	4.812	.550	.375	.500	.250
R5C	1.375	5.125	5.312	.550	.375	.500	.250
R5L	1.375	5.625	5.812	.550	.375	.500	.250
V2C	2.000	2.125	2.312	1.000	.575	.800	.400
V2L	2.000	2.625	2.812	1.000	.575	.800	.400
V3C	2.000	3.125	3.312	1.000	.575	.800	.400
V3L	2.000	3.625	3.812	1.000	.575	.800	.400
V4C	2.000	4.125	4.312	1.000	.575	.800	.400
V4L	2.000	4.625	4.812	1.000	.575	.800	.400
V5C	2.000	5.125	5.312	1.000	.575	.800	.400
V5L	2.000	5.625	5.812	1.000	.575	.800	.400



Capacitance (µF)	Diameter	Length	Part Description	Terminal
75 WVDC				
1900	1.750	3.125	EAF192X075U3C3PL	LP 10-32
175 WVDC				
30000	3.000	7.625	EAF303X175X7L3PN	HP 104-28
250 WVDC				
550	30mm	42mm	EAF551X250B1L3PB	2 wire lead
270 WVDC				
330	0.875	2.500	EAF331X270L2J3PB	2 wire lead
275 WVDC				
200	1.200	1.500	EAF201X275B1J3PB	2 wire lead
280 WVDC				
3300	2.500	2.625	EAF332X280W2L3PL	LP 10-32
300 WVDC				
250	1.000	2.000	EAF251X300N2O3PR	Radial snap
1300	2.000	3.625	EAF132X300V3L3PL	LP 10-32
1600	40mm	40mm	EAF162X300J1K3PR	Radial snap
1600	1.750	1.625	EAF162X300U1L3PR	Radial snap
2900	50mm	50mm	EAF292X300V2O3PT	Solder Eyelet
3300	50mm	100mm	EAF332X300V3S3PT	Solder Eyelet
5500	50mm	100mm	EAF552X300V3S3PK	Solderable Blade
5500	50mm	100mm	EAF552X300V3S3PT	Solder Eyelet
6000	50mm	100mm	EAF602X300V3S3PT	Solder Eyelet
10000	3.000	5.625	EAF103R300X5L3PH	HP 10-32
10000	3.000	5.875	EAF103R300X5R3PH	HP 10-32

Capacitance (µF)	Diameter	Length	Part Description	Terminal
310 WVDC				
4000	2.000	3.380	EAF402X310V3G3PH	HP 10-32
4000	2.000	3.625	EAF402X310V3L3PH	HP 10-32
315 WVDC				
1850	45mm	49mm	EAF182X315U1S3PR	Radial snap
1925	1.375	3.125	EAF192X315R3C3PR	Radial Snap
2000	1.375	3.125	EAF202X315R3C3PR	Radial Snap
4000	2.000	3.380	EAF402X315V3G3PF	HP 5mm
4000	2.000	3.380	EAF402X315V3G3PH	HP 10-32
320 WVDC				
3500	2.000	3.625	EAF352X320V3L3PH	HP 10-32
5000	2.500	5.625	EAF502X320W5L3PF	HP 5mm
18000	3.500	5.875	EAF183X320Y5R3PD	LP ¼-28
20000	3.500	5.875	EAF203X320Y5R3PD	LP ¼-28
330 WVDC				
47	0.875	1.375	EAF470X330L1G3PB	2 wire lead
120	0.875	1.375	EAF121X330L1G3PB	2 wire lead
1300	1.000	4.375	EAF132X330N4G3PB	2 wire lead
2500	2.000	4.125	EAF252X330V4C3PH	HP 10-32
13000	3.500	5.875	EAF133X330Y5R3PN	HP 104-28
335 WVDC				
180	0.875	1.563	EAF181X335L1K3PR	Radial snap
180	0.875	1.875	EAF181X335L1R3PB	2 wire lead
340 WVDC				
700	1.200	3.500	EAF701X340B3J3PR	Radial snap
1300	1.375	2.500	EAF132M340R2J3PB	2 wire lead
1300	1.375	2.500	EAF132X340R2J3PB	2 wire lead
1400	1.200	3.375	EAF142X340B3G3PR	Radial Snap
1400	1.200	3.500	EAF142X340B3J3PR	Radial Snap

Capacitance (µF)	Diameter	Length	Part Description	Terminal
------------------	----------	--------	------------------	----------

350 WVDC

200	1.000	2.000	EAF201X350N2O3PR	Radial snap
1000	1.375	3.125	EAF102X350R3C3PB	2 wire lead
1100	1.375	2.031	EAF112X350R2A3PT	Solder Eyelet
2500	40mm	90mm	EAF252X350J3J3PR	Radial snap
6000	3.000	5.625	EAF602X350X5L3PD	LP ¼-28
6800	3.000	5.625	EAF682X350X5L3PD	LP ¼-28
10000	3.000	5.875	EAF103X350X5R3PD	LP ¼-28

360 WVDC

150	0.750	2.375	EAF151X360A2G3PB	2 wire lead
700	1.200	3.500	EAF701X360B3J3PR	Radial snap
835	1.750	2.063	EAF8350X360U2B3PT	Solder Eyelet
900	1.200	2.500	EAF901X360B2J3PT	Solder Eyelet
1000	2.000	2.625	EAF102X360V2L3PG	LP 5mm
1200	40mm	55mm	EAF122X360J2C3PT	Solder Eyelet
1200	2.000	2.625	EAF122X360V2L3PG	LP 5mm
1400	1.200	3.500	EAF142X360B3J3PR	Radial snap
1400	30mm	90mm	EAF142X360B3J3PR	Radial snap
1500	1.375	2.750	EAF152X360R2N3PR	Radial Snap
1500	1.375	4.625	EAF152X360R4L3PC	3 wire lead
1600	1.750	2.688	EAF162X360U2M3PT	Solder Eyelet
1600	2.000	3.625	EAF162X360V3X3PL	LP 10-32
1600	2.000	4.125	EAF162X360V4C3PL	LP 10-32
1600	2.000	4.625	EAF162X360V4L3PL	LP 10-32
1700	1.750	3.125	EAF172X360U3C3PL	LP 10-32
1800	1.375	3.000	EAF182X360R3O3PB	2 wire lead
1900	1.750	2.875	EAF192X360U2R3PL	LP 10-32
1900	1.750	3.125	EAF192X360U3C3PL	LP 10-32
1900	2.000	1.750	EAF192X360U3C3PL	LP 10-32
1900	1.750	3.625	EAF192X360U3L3PL	LP 10-32
2000	1.375	4.625	EAF202X360R4L3PC	3 wire lead
2000	1.750	3.125	EAF202X360U3C3PH	HP 10-32
2000	1.750	3.125	EAF202X360U3C3PL	LP 10-32
2000	51 mm	63.5mm	EAF202X360V2J3PU	Solder Lug
2000	2.000	2.625	EAF202X360V2L3PU	Solder Lug

